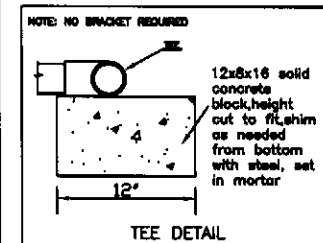
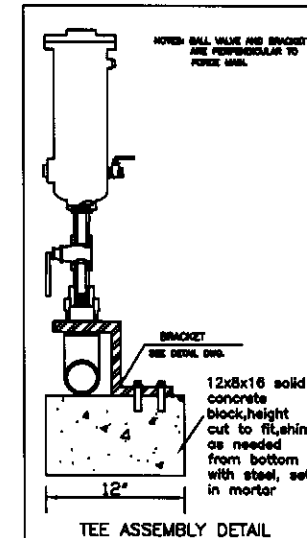
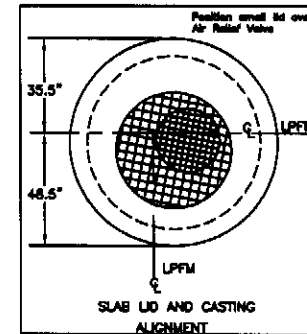


NOTE:
BALL VALVES AND TEE
ASSEMBLIES ARE
VERTICAL TO LPPM BUT
ARE SHOWN HORIZONTAL
FOR CLARITY



THE
METROPOLITAN SEWER DISTRICT
OF
GREATER CINCINNATI

1" TO 2 1/2" LOW
PRESSURE FORCE MAIN
RIGHT TEE AIR RELIEF CHAMBER