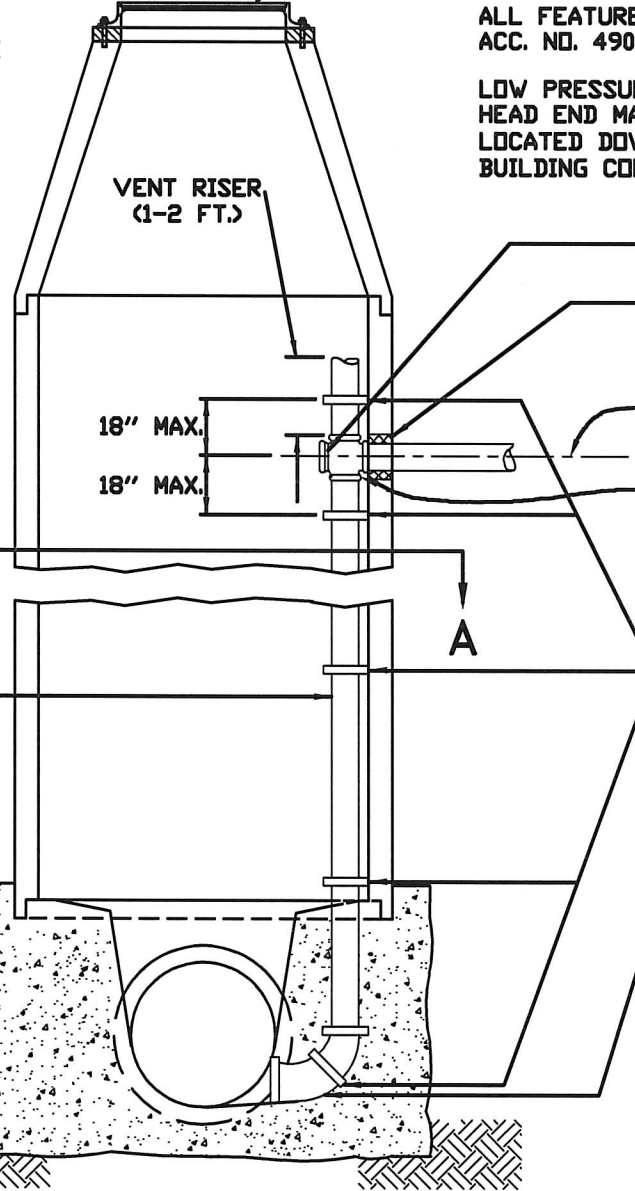


SECTION A-A

FRAME & COVER

NOTES:
 ALL FEATURES NOT NOTED, TO BE THE SAME AS SHOWN ON ACC. NO. 49037 FOR STANDARD TYPE "S" MANHOLES.

LOW PRESSURE FORCE MAINS SHALL NOT DISCHARGE INTO HEAD END MANHOLES. THE DISCHARGE POINT SHALL BE LOCATED DOWNSTREAM OF A MINIMUM OF THREE ACTIVE BUILDING CONNECTIONS.



REMOVABLE MECHANICAL JOINT CAP

RUBBER GASKET

LOW PRESSURE SEWER SYSTEM

PVC CROSS

VENT RISER (1-2 FT.)

18" MAX.

18" MAX.

CHANNEL

PVC STACK & OUTLET

STAINLESS STEEL STRAP

A

A

PVC STACK TO BE THE SAME SIZE AS THE FORCE MAIN

FASTEN STACK SECURELY TO MH. WALL WITH STAINLESS STEEL HARDWARE, MAX. 4' INTERVAL.
 STRAPS - 2" WIDE, 1/4" THICK
 STRAP BOLTS - 3/8" DIAM., 2 1/4" LONG (ANCHORS, PER SECTION A-A, MAY BE BULL DOG, RED HEAD, WEDGE IT OR QUICK BOLT.)

90° PVC TURN TO DIRECT FLOW DOWNSTREAM (CHANNEL BENCH IN DIRECTION OF FLOW)

UNDISTURBED EARTH

THE METROPOLITAN SEWER DISTRICT OF GREATER CINCINNATI

LOW PRESSURE FORCE MAIN TYPICAL RECEIVING MANHOLE

NO SCALE

DATE: AUGUST 1994

APPROVED: *Edward H. Kuttman*
 SEWERS CHIEF ENGINEER

TYP. RECEIVING MANHOLE

TRS

REV. REV.

ACC. NO. 49063